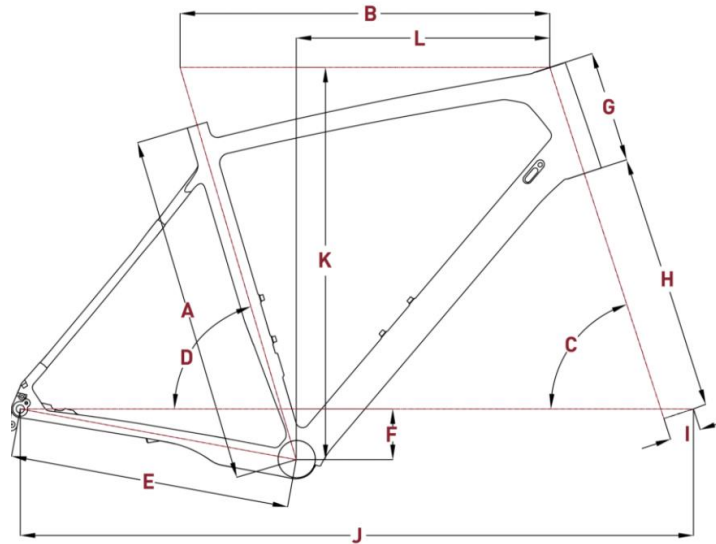


THRON 6.8 EQP



GEOMETRY

		S	M	L	XL
	SIZE	39	42	45	48
	SIZE (MM)	390	420	450	530
	HANDLEBAR WIDTH	760	760	760	760
	STEM LENGTH (MM)	50	50	50	50
	CRANKARM LENGTH	170	170	170	170
A	SEAT TUBE LENGTH (MM)	125	150	170	170
B	EFFECTIVE TOP TUBE (MM)	572	605	640	609
C	HEAD TUBE ANGLE (°)	66.5	66.5	66.5	70.5
D	EFFECTIVE SEAT TUBE ANGLE (°)	75	75	75	73
E	CHAINSTAY LENGTH (MM)	435	435	435	494
F	BOTTOM BRACKET DROP (MM)	35	35	35	65
G	HEAD TUBE LENGTH (MM)	100	110	130	180
H	FORK CONSTRUCTION HEIGHT (MM)	541	541	541	484
I	PRE-RAKED FORK (MM)	46	46	46	44
J	WHEELBASE LENGTH (MM)	1139	1173	1211	1155
K	STACK (MM)	605	615	633	676
L	REACH (MM)	410	440	470	402